

Subject to change without notice

VALVE AUTOMATION SYSTEMS

INTERNATIONAL  
**ELE-O-MATIC**<sup>®</sup>

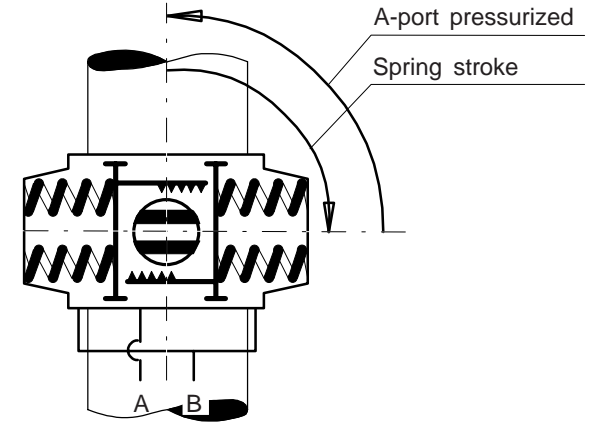
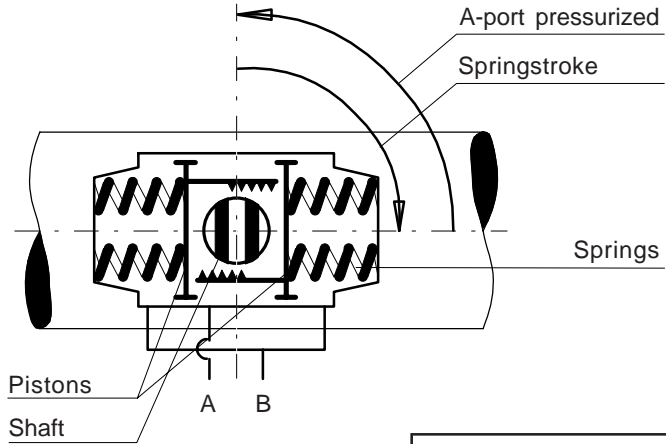
All rights reserved

Nr.:

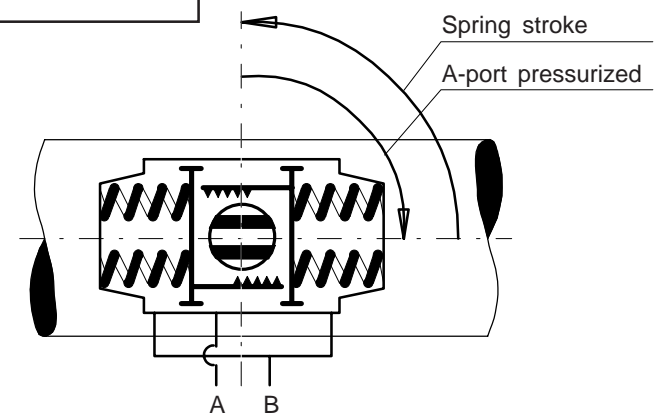
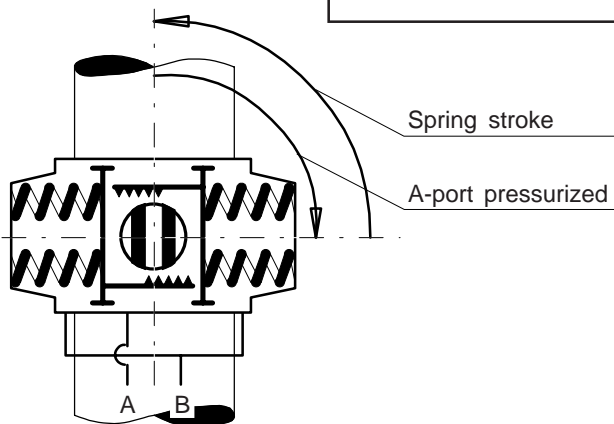
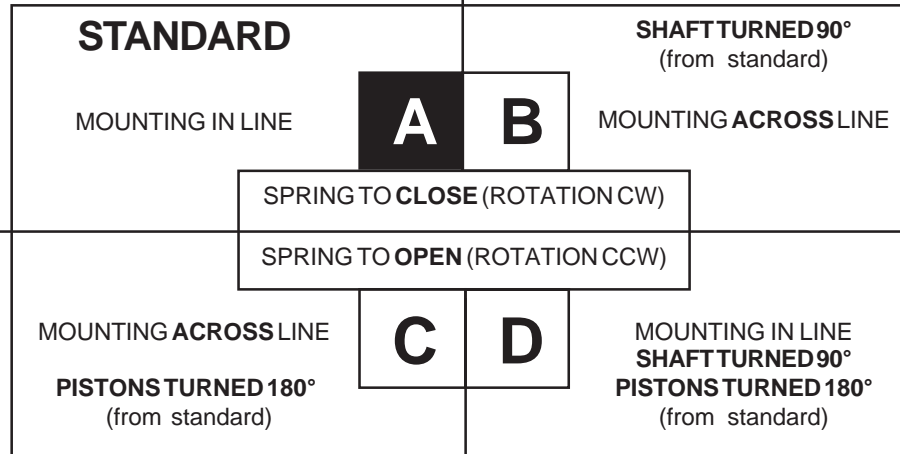
1.504

Date:

July '97



All views are from above  
Pistons are shown in inner position



SPRING RETURN ACTUATOR ASSEMBLY MODES