

Subject to change without notice

VALVE AUTOMATION  
SYSTEMS

INTERNATIONAL  
**ELE-O-MATIC**<sup>®</sup>

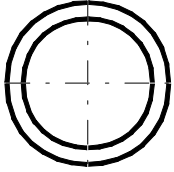
Nr.:

4:202

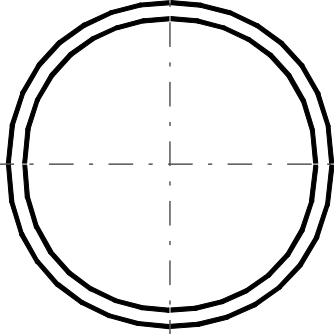
Date:

Aug. '95

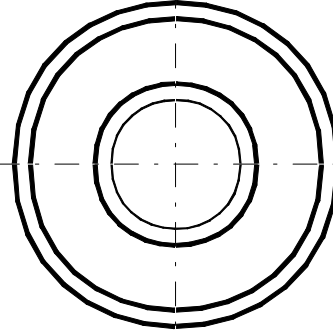
All rights reserved



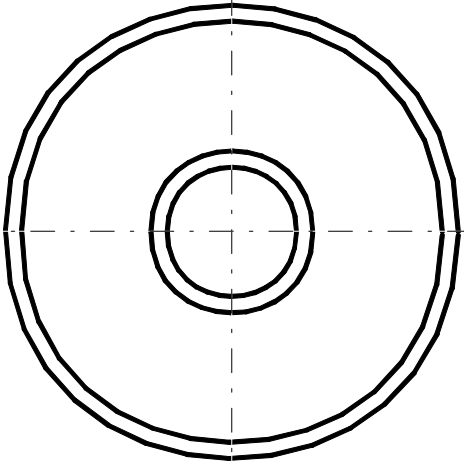
**SPRING SET No. 1**  
inner spring



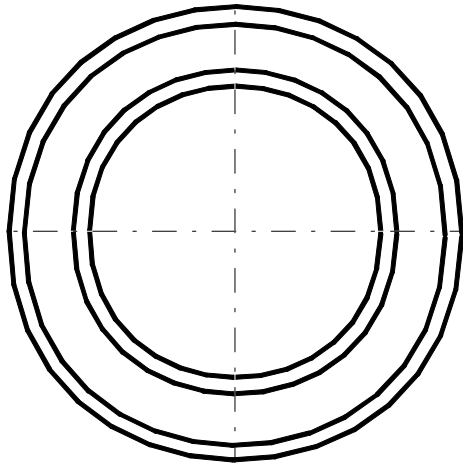
**SPRING SET No. 2**  
mid spring



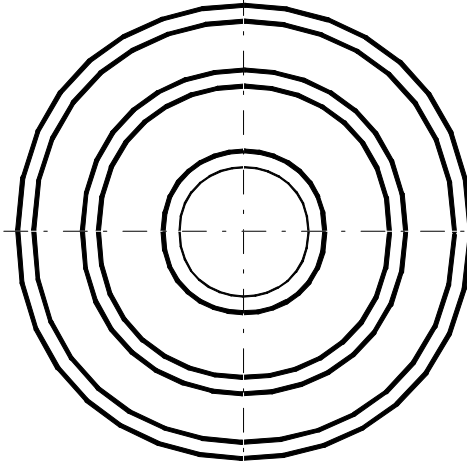
**SPRING SET No. 3**  
inner spring  
mid spring



**SPRING SET No. 4**  
inner spring  
outer spring



**SPRING SET No. 5**  
mid spring  
outer spring



**SPRING SET No. 6**  
inner spring  
mid spring  
outer spring

INSTALLATION OF SPRINGS OF E-SERIES ACTUATOR

E