

Subject to change without notice

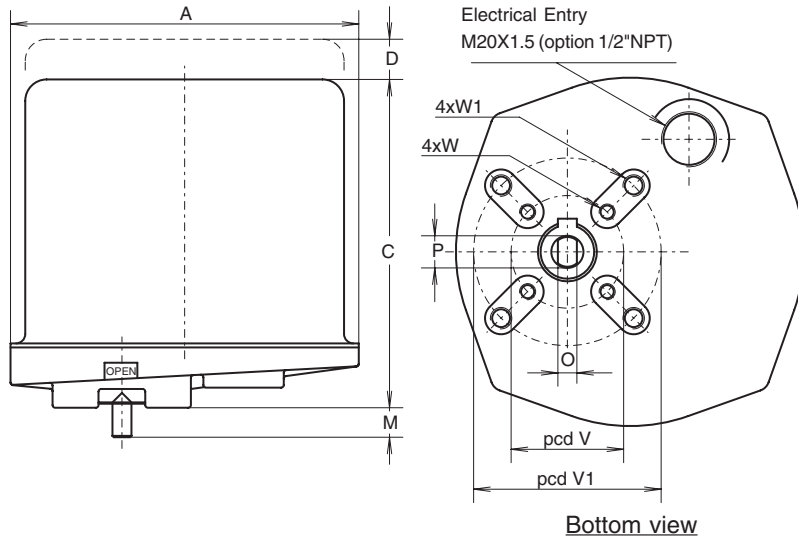
VALVE AUTOMATION SYSTEMS

WWW.EL-O-MATIC.COM
EL-O-MATIC[®]

All rights reserved

5.104

Feb. '05



Dimensions				
(in mm.)	ELS18		ELS25	
A	130		157	
C	122.5		135	
D	85		100	
M	11.2		13	
O	7.09	+0.05 -0.00	10	+0.00 -0.09
P	11.09	+0.03 -0.00	12	+0.00 -0.09
Vstd	42		50	
(option)	50		-	
V1	-		70	
W	M6x9		M6x12	
W1	-		M8x15	

Performance				
Torque (Nm.)	Break	18	25	
	Run	14	20	
Speed (sec.)	50 Hz	6.5	9.5	
Current (A)	110V AC	0.55	0.6	
	230V AC	0.1	0.3	
Weight (kg)		2.2	2.8	

Description

A compact, robust range of electrical actuators. Especially designed for small two and three way ball valves and similar drives requiring 90 or 180 degrees of rotation from a single phase or DC. electrical supply.

The water tight, aluminium alloy housing with steel cover, contains the drive motor and spur gear box assembly together with the anti-condensation heater and main terminal strip. Two limit switches provide for position limiting and remote position indication, space is allowed for two extra switches or a potentiometer for additional position feed back.

General Specification

- Rotation : 90°
: adjustable by limit switches: 10° to 320°.
- Enclosure : IP65.
- Temperature : -20° to +70°C.
- Electrical connections : By 8 point internal terminal strip.
- Voltages : 24VDC or 24VAC
- Single phase : 110-130V 50Hz or 60Hz
: 220-240V 50Hz or 240-280V 60Hz
- Minimum Switch Contactor Rating : 16A
- Duty rating : 50%.
- Stroke limitation : By limit switches.
- Visual indication : By direction arrow on the drive spindle.
- Electrical indication switches : 2, at 10 or 16 Amp. (at 110/240V AC) SPDT
- Stall protection : By motor thermostat.
- Materials : Base plate : Aluminium alloy.
: Cover : Steel.
: Drive spindle : Stainless steel
: Fastenings, etc. : Stainless steel
- Finish : Two part polyurethane finish.
- Life : 100.000 operations minimum.
- Heater : 10 Watt (Option).
- Options : Other drives and mountings.
: Extra switches, potentiometer.
: Other mounting flanges.

DIMENSIONS AND TECHNICAL DETAILS - ELECTRIC ACTUATOR - ELS