

Subject to change without notice

VALVE AUTOMATION SYSTEMS

ELCO-MATIC<sup>®</sup> INTERNATIONAL

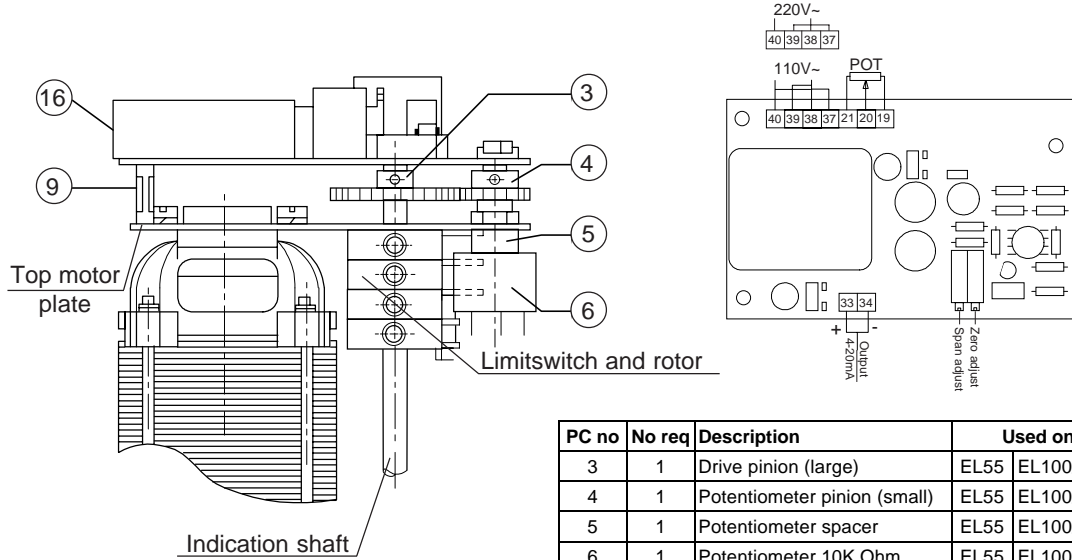
All rights reserved

Nr.:

5.205.02

Date:

Dec. '99



PC no	No req	Description	Used on
3	1	Drive pinion (large)	EL55 EL100/2500
4	1	Potentiometer pinion (small)	EL55 EL100/2500
5	1	Potentiometer spacer	EL55 EL100/2500
6	1	Potentiometer 10K Ohm	EL55 EL100/2500
9	3	Printspacer	EL55
9	3	Spacer/screw	EL100/2500
16	1	Position transmitter board	EL55 EL100/2500

**Description**

This electric actuator variation provides a continuous position indication by transmitting a 4 to 20 milli-Amp signal, this is proportional to the output shaft position.

This 4 wire version consists of a potentiometer and an electronic card complete with a dual voltage (AC.) power transformer, fed from the actuator's own incoming power supply. The remaining two wires are used for the output position signal.

The card is equipped with trimmers for zero and span adjustment and terminals for the internal and external connections.

**Construction**

The potentiometer and circuit board located on the top motor plate are wired as shown, using the board's own terminal strip.

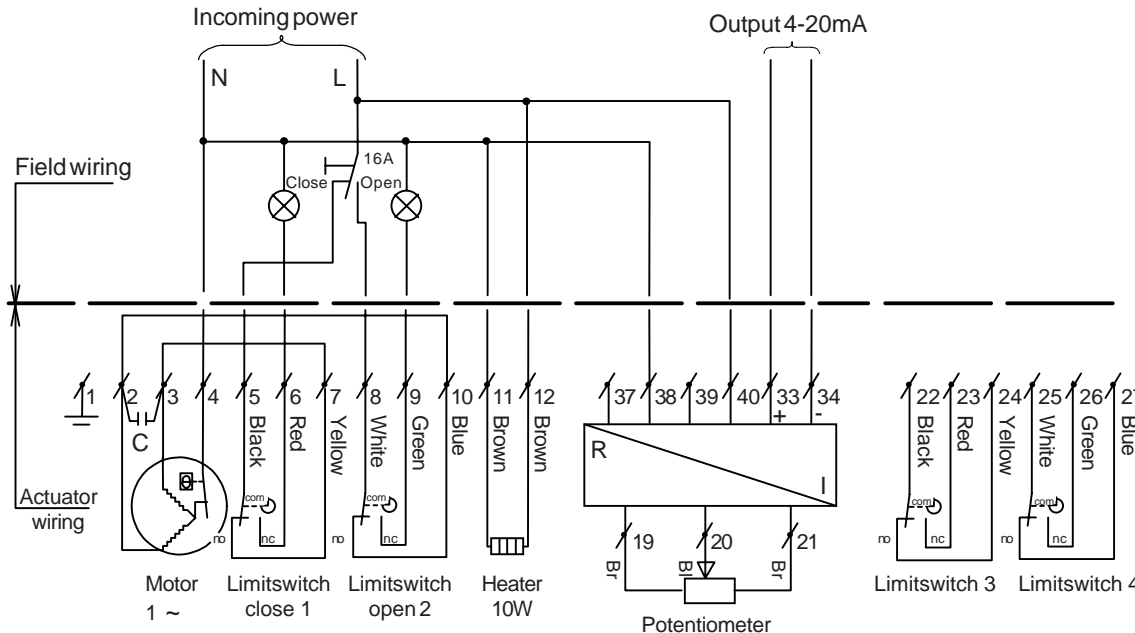
**Specification**

- Input : 110 or 220 V 50/60 Hz.
- Output : 4 to 20 mA, with adjustable zero and span
- Temperature : -20°C to +70°C.
- Potentiometer : 10KΩ (see sheet 5.202).

**Identification**

- Factory Option : Add "+ PT4" to the basic actuator size.  
: eg. EL100 220/50 + PT4
- Kit Option : Actuator size is added to: "Kit, PT4"  
: eg. Kit, PT4/EL55 220/50

- Note**
- 1) When supplied as a kit option, all the components as shown are included, together with an instruction sheet.
  - 2) Wiring diagram is shown with actuator in mid position.
  - 3) Wiring diagram for EL55 220V/50Hz + PT4



Link : For 220V nr. 37 & 39  
: For 110V nr. 37 & 40 / nr. 38 & 39

EL ACTUATOR WITH mA POSITION TRANSMITTER, 4-WIRE (Kit option) PT4