

Subject to change without notice

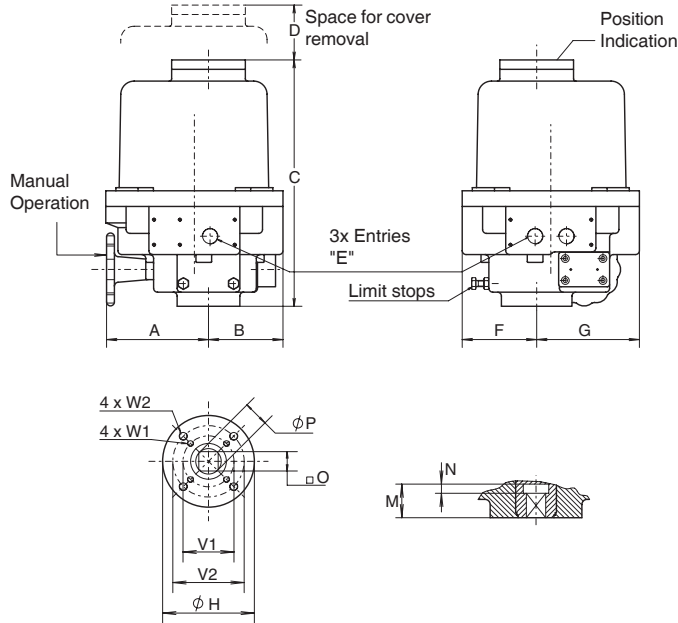
VALVE AUTOMATION SYSTEMS

WWW.ELO-MATIC.COM

All rights reserved

Nr.: A.5.105

Date: Febr. '05



Dim in inches	EL 55	EL100	EL150	EL200	EL350	EL500	EL800
A	5.12	5.31	5.31	7.28	7.28	7.68	7.68
B	2.36	3.94	3.94	4.29	4.29	5.04	5.04
C	10.83	11.42	11.50	12.40	12.40	14.96	14.96
D	5.71	6.50	6.50	6.50	6.50	6.50	7.48
3x E	1/2"NPT	1/2"NPT	1/2"NPT	3/4"NPT	3/4"NPT	3/4"NPT	3/4"NPT
F	2.76	3.03	3.03	3.78	3.78	4.84	4.84
G	3.74	4.72	4.72	5.53	5.53	6.54	6.54
H	3.54	3.54	3.54	4.92	4.92	5.91	5.91
M	1.08	1.30	1.30	1.30	1.30	1.77	1.77
N	0.35	0.35	0.35	0.35	0.35	-	-
O max.	0.556	0.752	0.752	0.752	0.752	1.068	1.068
O min.	0.551	0.748	0.748	0.748	0.748	1.063	1.063
P	0.709	0.984	0.984	0.984	0.984	1.417	1.417
V1	1.969	1.969	1.969	2.756	2.756	4.016	4.921
V2	2.756	2.756	2.756	4.016	4.016	-	-
W1	1/4-20 x .47	1/4-20 x .47	1/4-20 x .47	5/16-18 x .59	5/16-18 x .59	3/8-16 x .71	1/2-13 x .79
W2	5/16-18 x .59	5/16-18 x .59	5/16-18 x .59	3/8-16 x .71	3/8-16 x .71	-	-

Description

Type EL actuators use worm and wormwheel reduction gearing to provide tight positioning control and the self locking feature necessary for controlling larger valves, particularly butterfly types.

The explosionproof housing consists of two aluminum castings, this contains the drive motor and worm gear assembly, together with the anti-condensation heater and main terminal strip.

EL actuators take the full range of control options, they have hand wheel geared manual over rides, mechanical end position stops and torque switches on all the larger sizes. Visual position indication is by a window in the top cover.

General Specification

- Nominal Rotation : 90° - factory set to $\pm 3^\circ$
: Adjustable by limit switches 10° to 320°
- Explosion proof : II 2 G EEx d IIB T4,
: suitable for ATEX Zones 1, 2 (gas)
- Certificatenr. : KEMA 03ATEX2156X
- Enclosure : IP67 (Optional: IP68)
- Temperature : -20°C to +70°C
- Connections : By 12 and/or 16 point internal terminal strip.
- Finish : Two component polyurethane coating.
- Life : 50,000 operations minimum
- Heather : 10 Watt
- Voltages - DC : 24VDC or 24VAC
- Single phase : 110-130v 50Hz or 60Hz
: 220-240V 50Hz or 240-280v 60Hz
- Three phase : 380-415V 50Hz or 415-460V 60Hz
- Stall protection : By motor thermostat (all sizes).
: By thermostat and by torque switches (EL 100-800).
- Identification : Example: EL 200 Exd

Minimum customer switch or contactor rating 16Amp.

Performance		EL55	EL100	EL150	EL200	EL350	EL500	EL800
Torque (In.lb.)	Break	487	885	1328	1770	3098	4425	7081
	Run	177	310	469	620	1089	1549	2478
Speed (Sec.)	50Hz	6	7.5	9	13.5	22	25.5	25.5
Current (A) (Max.)	24VDC	5	8	8	8	8	8	-
	110V AC	1.1	2.9	2.9	2.9	2.9	2.9	4.5
	230V AC	0.6	1.7	1.7	1.7	1.7	1.7	2.3
Power (W)	24VDC	45	118	118	118	118	118	-
	110V AC	100	225	225	225	225	225	315
	230V AC	72	200	200	200	200	200	305
Switches-Indication		4x16A	4x16A	4x16A	4x16A	4x16A	4x16A	4x16A

DIMENSIONS AND TECHNICAL DETAILS - ELECTRIC ACTUATOR - EL Exd