

Data sheet

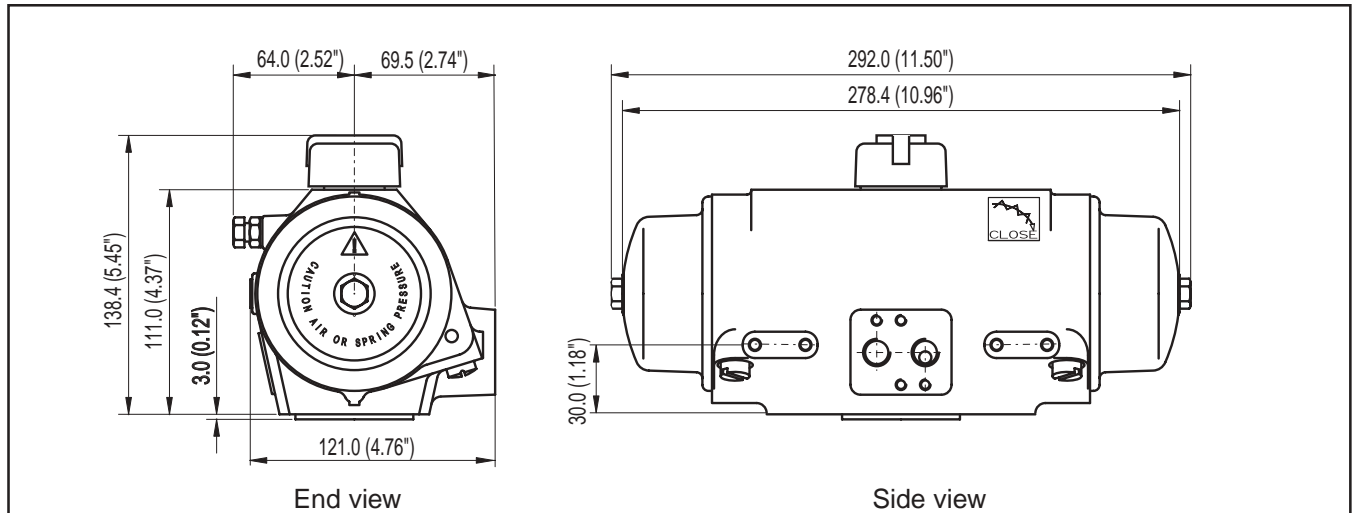
Sheet No.: D30, Rev. C

Date: June 2005

Hytorc XL

Envelope Dimensions and Torque Data

XL131 Double acting and Spring Return actuator



Torque in Nm, Pressure in bar(g)																
Double Acting Torques		49		65		81		89		97		113		129		
Spring Rating	Torque From Springs		3.0 bar(g)		4.0 bar(g)		5.0 bar(g)		5.5 bar(g)		6.0 bar(g)		7.0 bar(g)		8.0 bar(g)	
	Start	End	Start	End	Start	End	Start	End	Start	End	Start	End	Start	End	Start	End
S40	28	17	32	21	48	37	64	53	72	61	80	69	97	85	113	102
S50	35	21	28	14	44	30	60	46	68	54	76	62	92	78	109	95
S60	42	25	23	7	40	23	56	39	64	47	72	55	88	71	104	88
S70	49	29	-	-	35	16	52	32	60	40	68	48	84	64	100	81
S80	56	33	-	-	31	9	47	25	56	33	64	41	80	57	96	74
S90	63	38	-	-	-	-	43	18	51	26	59	34	76	51	92	67
S1C	70	42	-	-	-	-	39	11	47	19	55	27	71	44	88	60

Torque in inch-pounds, Pressure in PSI																
Double Acting Torques		392		491		589		785		883		981		1177		
Spring Rating	Torque From Springs		40 PSI		50 PSI		60 PSI		80 PSI		90 PSI		100 PSI		120 PSI	
	Start	End	Start	End	Start	End	Start	End	Start	End	Start	End	Start	End	Start	End
S40	247	148	244	146	342	244	440	342	637	538	735	636	833	734	1029	930
S50	309	185	207	84	305	182	403	280	600	476	698	574	796	672	992	869
S60	370	222	-	-	268	120	366	218	563	414	661	513	759	611	955	807
S70	432	259	-	-	-	-	329	157	526	353	624	451	722	549	918	745
S80	494	296	-	-	-	-	292	95	489	291	587	389	685	487	881	683
S90	555	333	-	-	-	-	-	-	452	229	550	327	648	426	844	622
S1C	617	370	-	-	-	-	-	-	414	168	513	266	611	364	807	560



www.Hytorc.com

Copyright © Emerson Process Management. The information in this document is subject to change without notice.

Updated data sheets can be obtained from our website www.hytorc.com or from your nearest Valve Automation Center

USA: +1 813 630 2255 (fax 630 9449) UK: +44 191 5180020 (fax 5180032)



EMERSON
Process Management